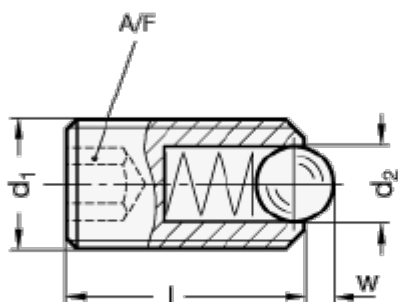


Article number: 206153M3KNMVK

Description: E+G stainless steel spring plungers 615.3-M3-KN-MVK

Measures



Thread locking **PFB**
Polyamide patch
for type **KN**



Thread locking **PFB**
Polyamide patch
for type **KSN**



Thread locking **MVK**
Micro encapsulation precote
(for all types)

A/F	= 1.5
d1	= M3
d2	= 1.5
l	= 8
Max. spring load in N	= 4.5
Preload spring pressure in N	= 3
w	= 0.4